



TNV DI Series Industrial Diesel Engine

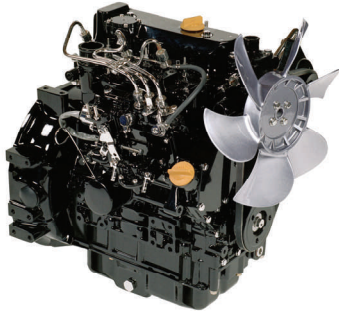


Image shown may not be actual engine

3TNV88-BDSA General Specification 36.0 HP (26.9 kW) @ 3000 rated rpm*

Type	• • • 3 Cylinder, 4-Cycle, Liquid Cooled Diesel Engine
Bore	• • • • • 88 mm
Stroke	• • • • • 90 mm
Displacement	• • • • • 1.642 L
Aspiration	• • • • • Naturally Aspirated
Combustion System	• • • • • Direct Injection
Rotation (from flywheel end)	• • • • • Counterclockwise
Dry Weight	• • • • • 341 lbs (154 kg)

Features

Clean Emissions

Building off the proven TNE design, Yanmar has achieved superior exhaust emissions by improving the combustion chamber and fuel injection equipment design. Engines are compliant with 2008 EPA Tier 4 and EU stage III A exhaust emissions regulations.

Reliable and Durable

The TNV engines now proudly take up the running as Yanmar's premium small industrial diesel. They offer even more enhanced durability due to better block cooling, a stiffer crank and pistons, finer tolerance in the journal, and more. CAE analysis has brought lower vibrations and higher strength to the mounting structure for even better reliability in heavy-duty jobs.

Fuel Delivery and Economy

A newly designed, in-line MP type fuel injector pump is utilized to assure more precise fuel delivery and control. The result is reduced emissions, improved performance over a wide range of applications and good fuel economy which assures that Yanmar's reputation for superior starting characteristics continues.

Noise Level Reduction

Yanmar's original CAE techniques have optimized the stiffness, minimized transformation, and reduced radiant noise in the cylinder block. Gear noise reduction is achieved through an improved gear tooth profile resulting in less mechanical noise.

Additional Information

Yanmar America Corp
951 Corporate Grove Drive
Buffalo Grove, IL 60089
www.yanmar.com

Distributed By:

Standard Engine Equipment

General

- Intake & Exhaust Manifold
- Exhaust Manifold Gasket (shipped loose)

Lubrication System

- 2.8 L Capacity Shallow Oil Pan
- Trochoid Oil Pump
- Paper Element Oil Filter
- Oil Pressure Switch
- Crankcase Breather, Closed Type

Electrical System

- 12V, 40 Amp Alternator
- 12V Starter Motor
- 12V, 400W Air Heater
- Preheat Relay (shipped loose)
- Preheat Timer, 15 second (shipped loose)
- Stop Solenoid Timer, 1 second (shipped loose)

Fuel System

- In-line MP2 Fuel Injection Pump
- 12V Electric Fuel Pump (shipped loose)
- Paper Element Fuel Filter
- Water Separator (shipped loose)
- Stop Solenoid, Integral to Fuel Injection Pump (shipped loose)

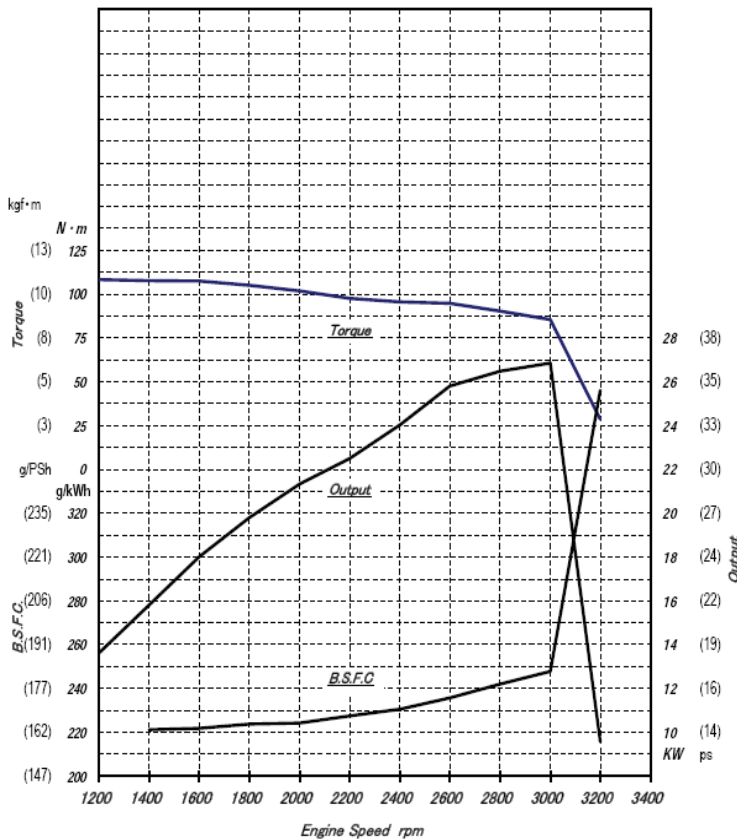
Cooling System

- Water Pump, Belt Driven
- 7-Blade, 360mm Cooling Fan—Puller Type
- 70° F (21° C) Thermostat
- Temperature Switch
- Fan Belt

Power Take Off

- Flywheel, SAE 7 1/2"
- Flywheel Housing, SAE #5
- Aux Drive, 9-tooth w/SAE 2 bolt "A" Flange

Performance Data



kW to Hp conversion used is expressed as: $HP = (kW \text{ value}) \times 1.34$

Rated Speed (rpm)	Net rated kW	Net rated HP	Max. Torque (ft-lb)
3000	26.9	36.0	79.5 @ 1800 rpm

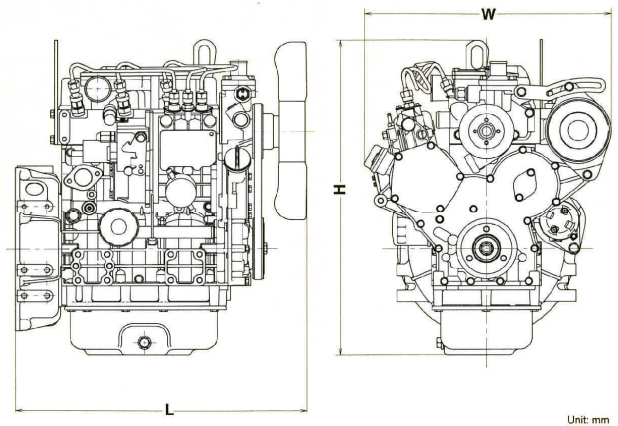
Ratings Definitions and Conditions

*Rated power listed is NET engine output. The engine operating environment and driven machine conditions must be studied carefully when selecting an engine in order to ensure correct engine selection, maximize engine performance, extend engine service life and improve machine capacity.

Consult the TNV Application Manual for additional engine ratings and engine application information.

Application standards for Yanmar industrial engines: Inlet air standard conditions with a total barometric pressure of 100kPa (29.5 in. Hg), with a vapor pressure of 1 kPa (.295 in. Hg), and 25°C (77°F).

Dimensions



Length	24.0 in (610 mm)
Width	19.7 in (502 mm)
Height	25.7 in (654 mm)

Note: Dimensions depend on final specifications.

Materials and specifications herein are intended to serve as a guide in engine selection and subject to change without notice. The International System of Units (SI) is used in this publication. Yanmar and its logos, as well as corporate identity used herein, are trademarks of Yanmar and may not be used without permission.